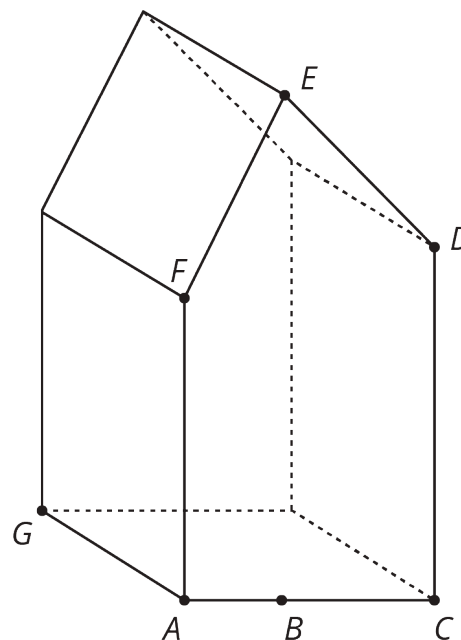


Lesson 15 Practice Problems

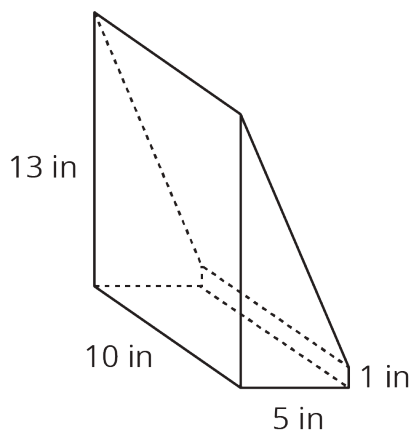
1. You find a crystal in the shape of a prism. Find the volume of the crystal.

The point B is directly underneath point E , and the following lengths are known:

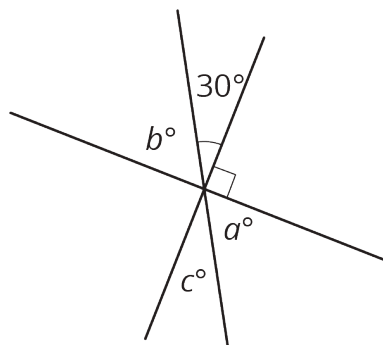
- From A to B : 2 mm
- From B to C : 3 mm
- From A to F : 6 mm
- From B to E : 10 mm
- From C to D : 7 mm
- From A to G : 4 mm



2. A rectangular prism with dimensions 5 inches by 13 inches by 10 inches was cut to leave a piece as shown in the image. What is the volume of this piece? What is the volume of the other piece not pictured?



4. Select **all** equations that represent a relationship between angles in the figure.



- A. $90 - 30 = b$
- B. $30 + b = a + c$
- C. $a + c + 30 + b = 180$
- D. $a = 30$
- E. $a = c = 30$
- F. $90 + a + c = 180$

(From Unit 1, Lesson 12.)