

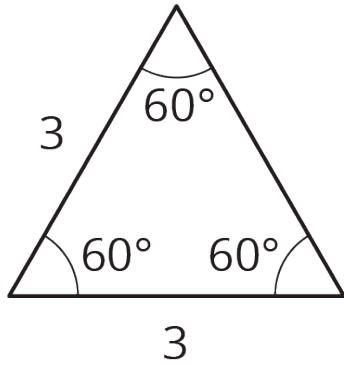
Unit 7 Lesson 9: Drawing Triangles (Part 1)

1 Which One Doesn't Belong: Triangles (Warm up)

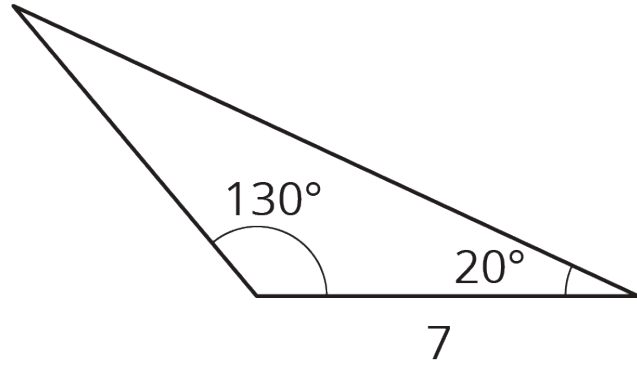
Student Task Statement

Which one doesn't belong?

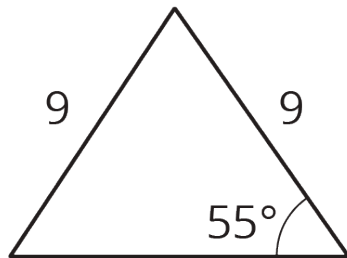
A



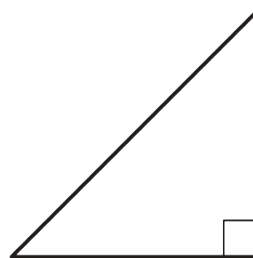
B



C



D



2 Does Your Triangle Match Theirs?

Student Task Statement

Three students have each drawn a triangle. For each description:

- Draw a triangle with the given measurements.
- Measure and label the other side lengths and angle measures in your triangle.
- Decide whether the triangle you drew must be an identical copy of the triangle that the student drew. Explain your reasoning.

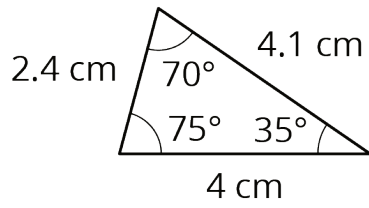
1. Jada's triangle has one angle measuring 75° .

2. Andre's triangle has one angle measuring 75° and one angle measuring 45° .

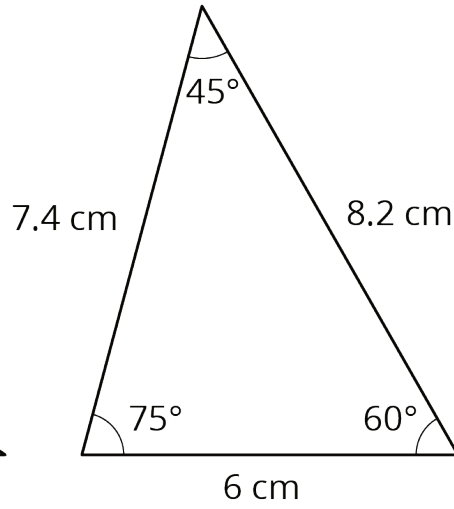
3. Lin's triangle has one angle measuring 75° , one angle measuring 45° , and one side measuring 5 cm.

Activity Synthesis

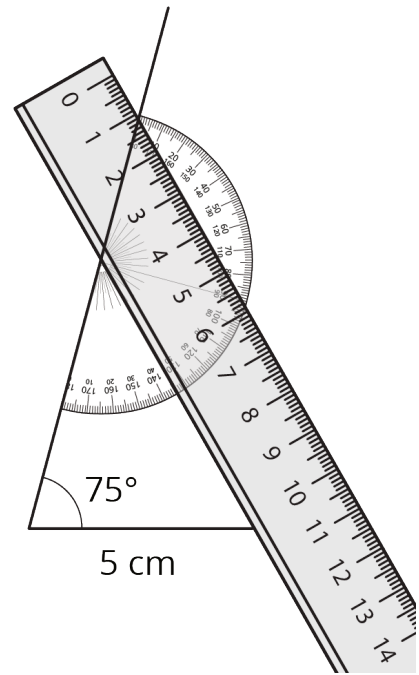
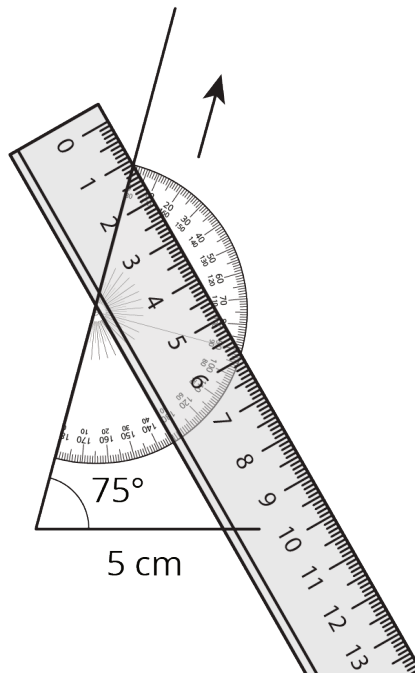
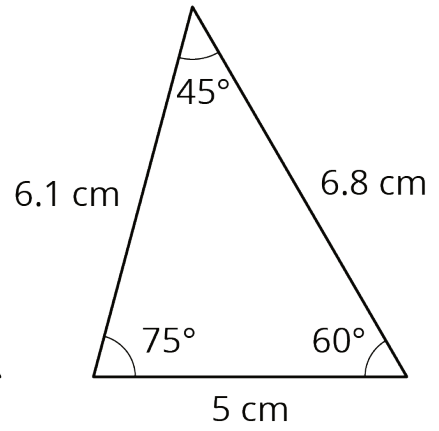
Jada's Triangle



Andre's Triangle



Lin's Triangle



3 How Many Can You Draw?

Student Task Statement

1. Draw as many different triangles as you can with each of these sets of measurements:
 - a. Two angles measure 60° , and one side measures 4 cm.
 - b. Two angles measure 90° , and one side measures 4 cm.
 - c. One angle measures 60° , one angle measures 90° , and one side measures 4 cm.
2. Which of these sets of measurements determine one unique triangle? Explain or show your reasoning.