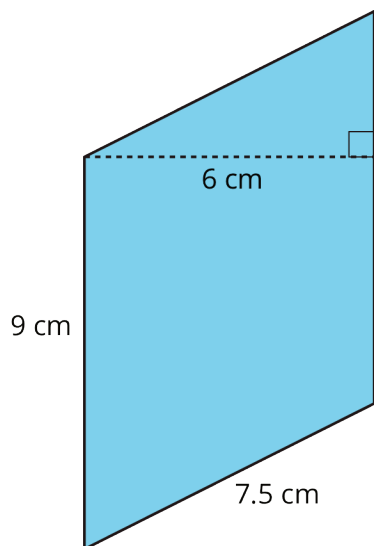


Lesson 6: Area of Parallelograms

Cool Down: One More Parallelogram



1. Find the area of the parallelogram. Explain or show your reasoning.

2. Was there a length measurement you did not use to find the area? If so, explain why it was not used.